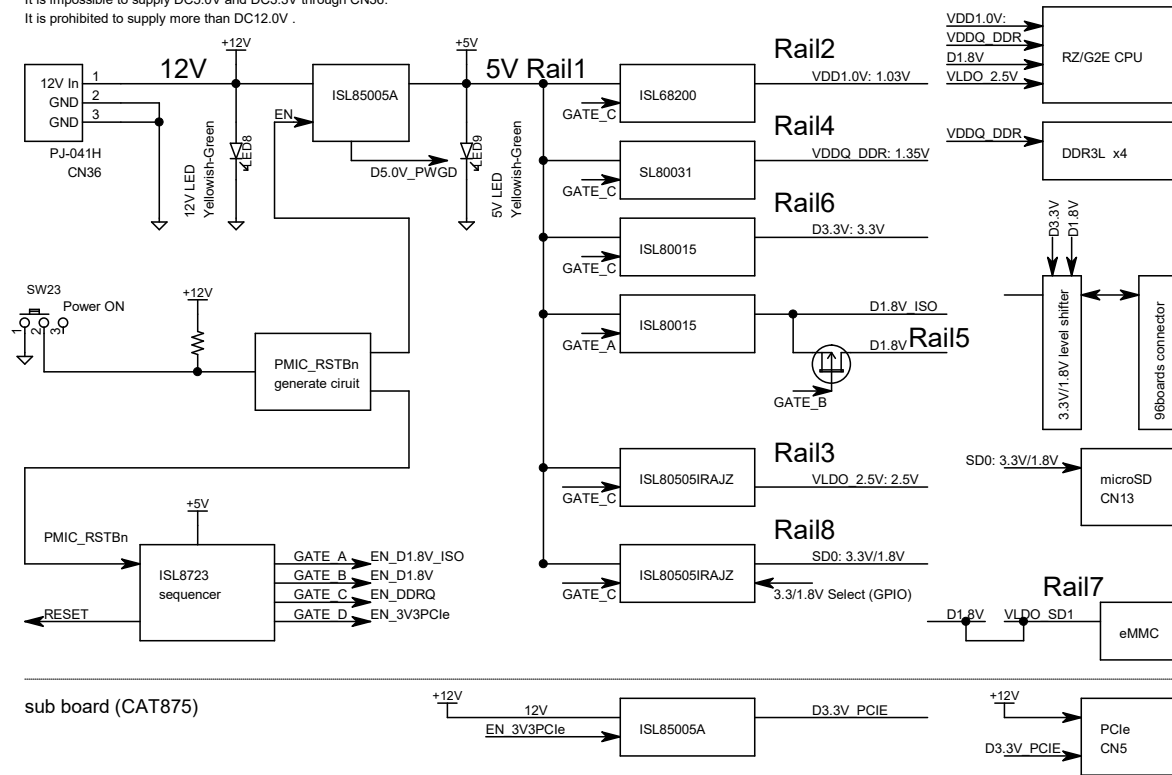


It is impossible to supply DC5.0V and DC3.3V through CN36.  
 It is prohibited to supply more than DC12.0V .



TITLE		DRAWING_No.	
SHEET	DATE	DESIGN	